
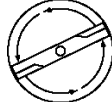


Jonsered

Accessories

SERVICE 		9
		10400505

IPL, Spreader, 2004-01, 106 31 88-61

954 12 00-42

Spreader

Spare parts

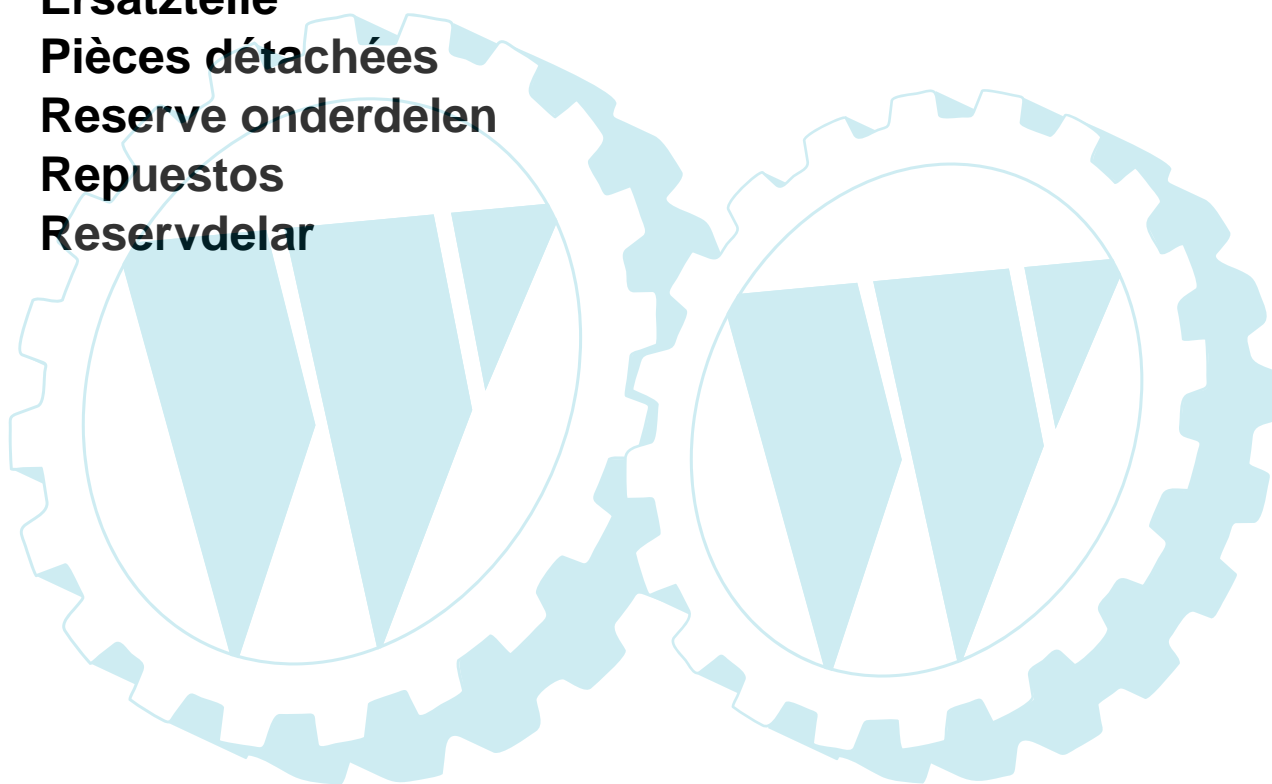
Ersatzteile

Pièces détachées

Reserve onderdelen

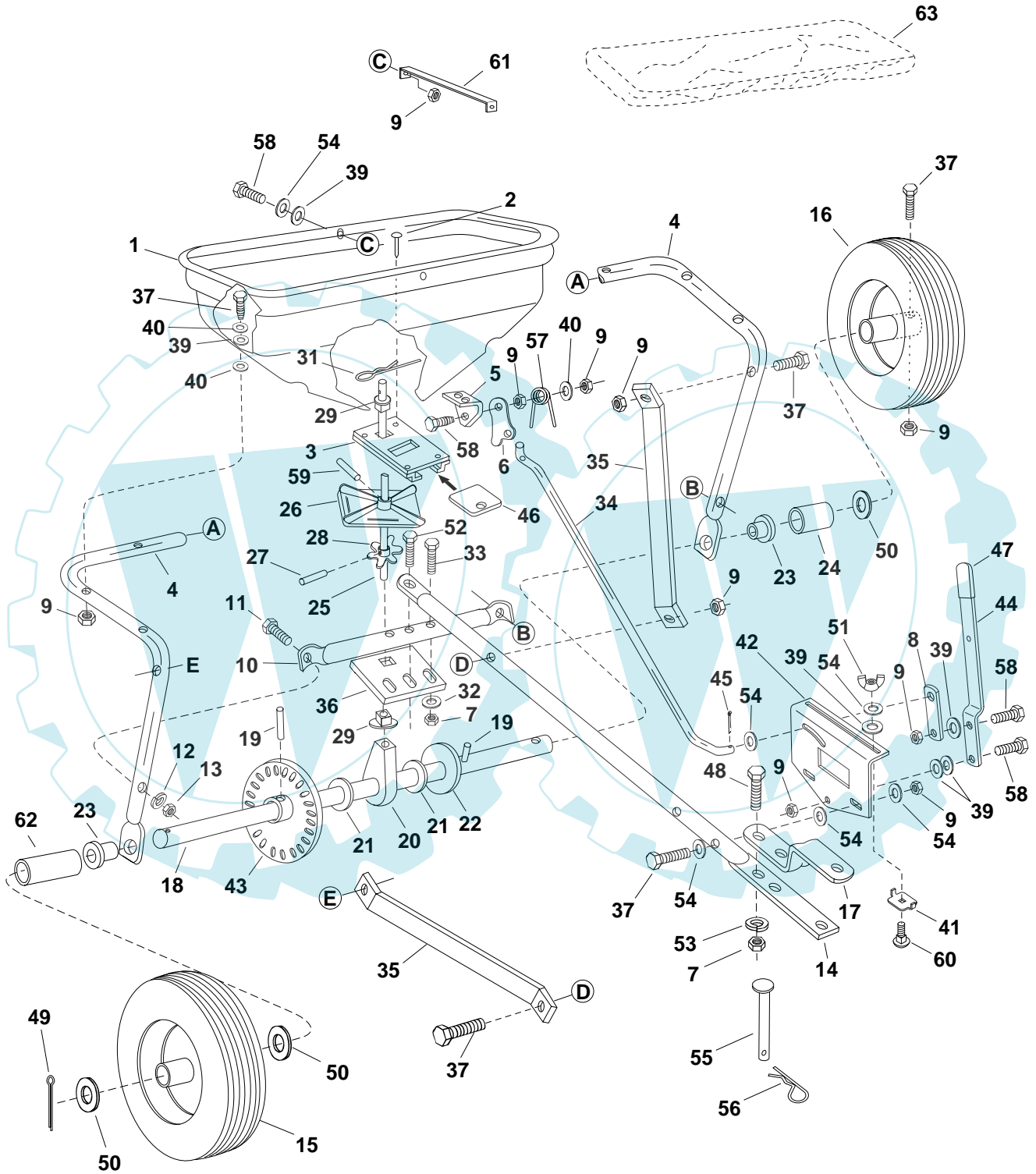
Repuestos

Reservdelar



106 31 88-61

REPAIR PARTS FOR BROADCAST SPREADER MODEL 954 12 00-42



REPAIR PARTS FOR BROADCAST SPREADER MODEL 954 12 00-42

REF. NO.	PART NO.	QTY.	DESCRIPTION	REF. NO.	PART NO.	QTY.	DESCRIPTION
1	531 00 46-01	1	Hopper	32	734 11 72-01	5	Washer, Flat 3/8" *
2	531 00 27-66	4	Rivet, Stainless	33	725 25 01-51	2	Bolt, Hex 3/8-16 x 1-3/4" Lg *
3	531 00 27-50	1	Ass'y, Guide Closure	34	531 00 46-14	1	Rod, Flow Control
4	531 00 46-02	1	Tube, Frame	35	531 00 27-81	2	Brace, Hitch
5	531 00 46-03	1	Slide Gate Angle Bracket	36	531 00 46-15	1	Shalt Support Plate
6	531 00 46-04	1	Slide Gate Bracket	37	725 23 79-51	12	Bolt, Hex 1/4-20 x 1-3/4"
7	873 68 06-00	5	Nut. Hex lock 3/8-16 Thd.*	39	531 00 27-83	12	Washer, Nylon
8	531 00 76-43	1	Flow Control Link	40	734 11 52-01	13	Washer, Flat 1/4" Std.
9	531 00 76-29	18	Nut, Hex Lock 1/4 -20 Thd*	41	531 00 76-44	1	Stop, Adjustable
10	531 00 27-70	1	Tube, Crossover	42	531 00 76-42	1	Bracket, Flow Control Mount
11	531 00 28-38	2	Bolt, Hex 5/16 x 1-3/4" Lg	43	531 00 27-59	1	Gear Assembly
12	735 11 64-05	2	Lock Washer, 5/16"	44	531 00 76-45	1	Flow Control Arm
13	531 00 76-16	2	Nut, Hex Lock, 5/16-18 Thd*	45	721 61 67-01	1	Cotter Pin 3/32" x 3/4" Lg.*
14	531 00 46-06	1	Tube, Hitch	46	531 00 27-63	1	Plate, Closure
15	531 00 27-15	1	Wheel, Idler	47	531 00 27-87	1	Grip, Flow control Arm
16	531 00 46-08	1	Wheel, Driver	48	506 62 61-01	2	Bolt, Hex 3/8-16 x 1-1/4" Lg *
17	531 00 27-72	1	Bracket, Hitch	49	721 61 85-01	1	Pin, Cotter 1/8" x 1-1/2"
18	531 00 76-46	1	Shaft, Axle	50	531 00 27-16	4	Washer, Flat 1-5/8" O.D.
19	531 00 27-74	2	Pin, Spring 3/16" Dia. X 1-1/4" Lg	51	531 00 76-51	1	Wing Nut, Nylon
20	531 00 27-53	1	Bushing, Faxle Shaft	52	531 00 27-32	1	Bolt, Hex 3/8-16 x 2" Lg. *
21	506 62 52-01	5	Washer, Flat .78 ID	53	735 11 73-01	2	Lock Washer, 3/8" *
22	531 00 27-92	1	Washer, Flat 1/2"	54	531 00 74-76	10	Washer, 5/16 SAE
23	531 00 76-55	2	Bearing, Flange	55	531 00 81-18	1	Hitch Pin
24	531 00 76-71	1	Spacer Tube (Short)	56	721 68 02-51	1	Hair Cotter Pin, 1/8"
25	531 00 76-94	1	Shaft, Sprocket	57	531 00 46-20	1	Spring, Torsion
26	531 00 27-55	1	Spreader Plate	58	725 23 70-51	5	Bolt, Hex 1/4-20 x 3/4" Lg.*
27	531 00 76-78	1	Pin, Spring 1/8" Dia. X 5/8"	59	531 00 27-77	1	Pin, Spring 1/8" Dia. x 1" Lg.
28	531 00 46-12	1	Sprocket, 6 tooth	60	531 00 76-37	1	Bolt, Carriage 1/4-20 x 3/4"
29	531 00 46-19	2	Bushing, Delrin	61	531 00 27-69	1	Strap, Hopper
31	531 00 76-93	1	Hairpin, Agitator	62	531 00 46-10	1	Spacer Tube (Long)
				63	531 00 27-90	1	Vinal Cove (Optional)
					531 00 76-72	1	Owner's Manual